

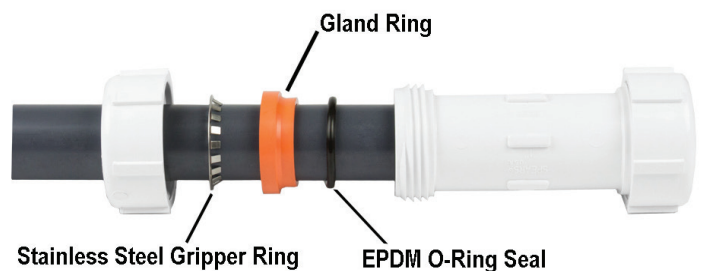


GripLoc™ Compression Couplings & Fittings

GL-2NP-0521

The Mechanical Joint That Won't Pull Apart.

- Precision Engineered for Improved Performance
- Pressure Rating 1/2" - 2" 235 psi, 3" & Larger 150 psi
- Corrosion Proof
- Hand-Tight Installation Requires No Wrenches
- EPDM O-ring Seal for Superior Water Performance



WARNING: DO NOT INSERT FINGERS.

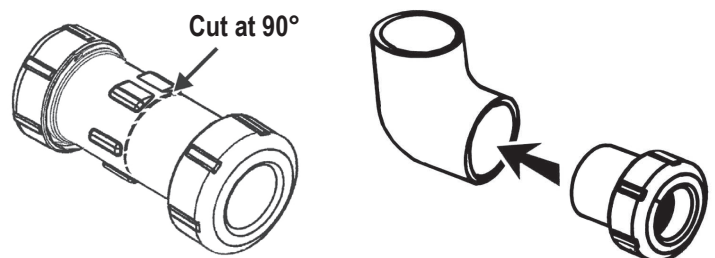
GripLoc™ Compression Coupling

Hand Tightened nut compresses special stainless steel Gripper Ring to firmly grip pipe and prevent potential pull-out. Compressed Gland Ring ensures positive O-ring seal against pipe.

Easily Convert Fittings to Compression Outlet

Socket-type fittings 3/4" through 2-1/2" can be easily converted to GripLoc™ compression outlet sizes 1/2" through 2" by simply cutting the GripLoc™ Compression Coupling at the center and solvent cementing the spigot body into a fitting socket (See Table 1 at the Top of Page 2).

- Available in PVC White, plus Male and Female GripLoc™ Adapters.



Progressive Products From Spears® Innovation & Technology

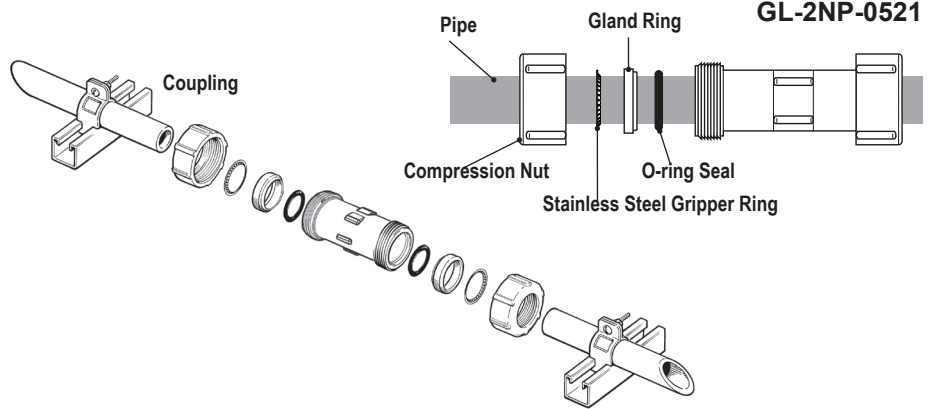


GripLoc™ Compression Coupling Installation Instructions

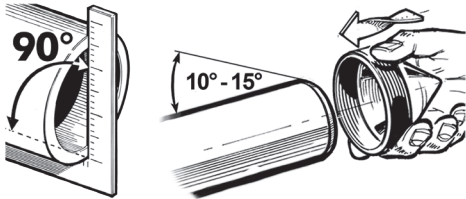
GL-2NP-0521

EASY INSTALLATION

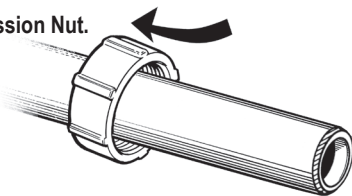
Spears® GripLoc™ Compression Couplings easily install by simply sliding nut over pipe, slip on components in order shown, then insert into body and tighten nuts.



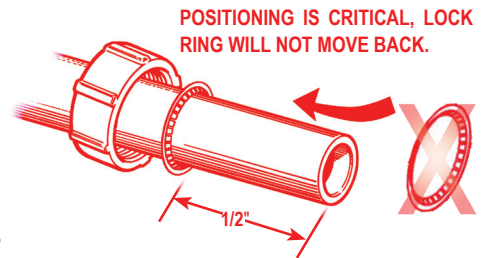
STEP 1 Cut pipe square. Deburr & bevel.



STEP 2 Install Compression Nut.



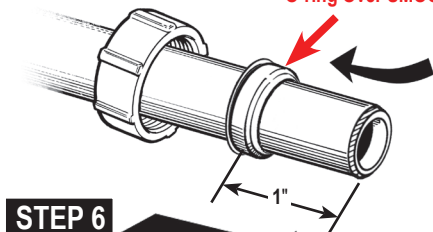
STEP 3 Install Gripper Ring approximately 1/2" from pipe end.



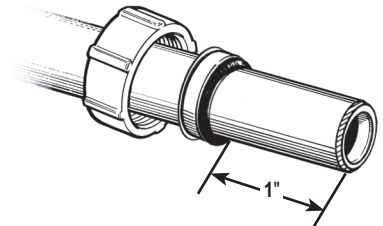
STEP 4 Install Gland Ring. Use Gland Ring to slide Gripper Ring down approximately 1".

WARNING: CHECK PIPE SURFACE UNDER O-RING SEAL FOR ANY DAMAGE, SCRATCHES, NICKS, OR GOUGES.

If Damaged, Cut Pipe to Reposition O-ring Over SMOOTH AREA.

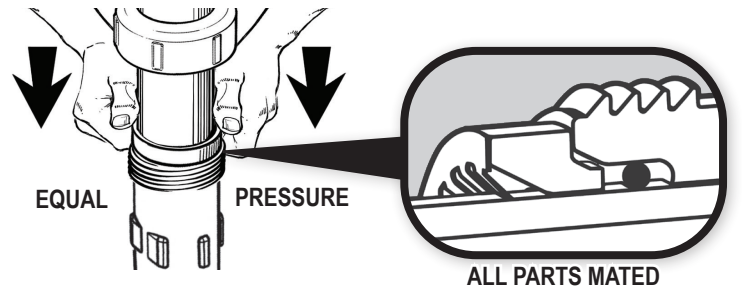


STEP 5 Install O-Ring. Slide O-ring down next to Gland Ring.

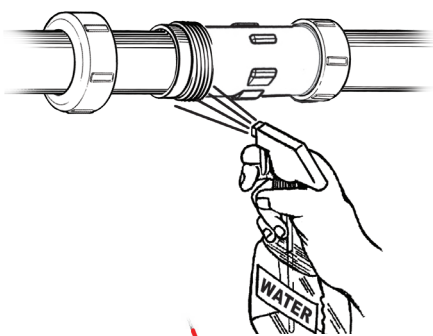


STEP 6

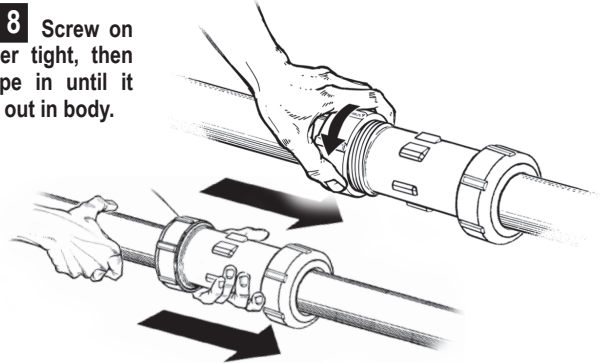
Use equal pressure to bottom out the Gland Ring to body. Gripper ring, gland ring, O-ring and body must be mated together before tightening nut.



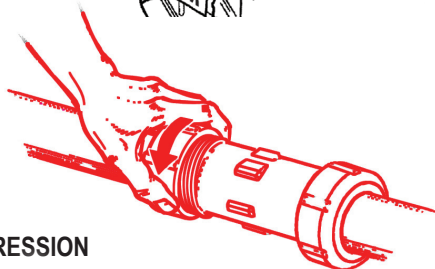
STEP 7 Lubricate Nut & Threads with a small amount of water.



STEP 8 Screw on nut finger tight, then push pipe in until it bottoms out in body.



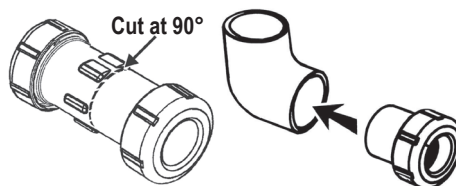
STEP 9 Hand Tighten only Compression Nut. DO NOT use Compression Coupling Nut Wrench or Strap Wrench. Additional tightening is not required to seal.



WARNING: DO NOT INSERT FINGERS. ENSURE THAT PIPE AND FITTINGS ARE FREE OF DIRT AND DEBRIS PRIOR TO INSTALLATION.

CONVERT FITTINGS TO COMPRESSION OUTLET

Socket-type fittings 3/4" through 2" can be easily converted to GripLoc™ compression outlet sizes 1/2" through 2" by simply cutting the Griploc™ Compression Coupling at the center holding ribs and solvent welding the spigot body into a fitting socket.



Compression Coupling Size (in.)	Body Spigot Size (in.)
1/2	3/4
3/4	1
1	1-1/4
1-1/4	1-1/2
1-1/2	2
2	2-1/2



SPEARS® MANUFACTURING COMPANY
15853 Olden Street, Sylmar, CA 91342 • PO Box 9203, Sylmar, CA 91392
(818) 364-1611 • www.spearsmfg.com

