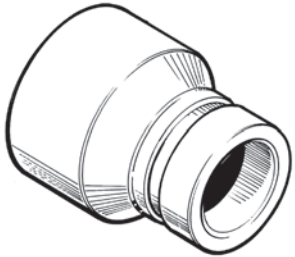




PVC & CPVC SCHEDULE 80  
GROOVED COUPLING ADAPTER  
INSTALLATION INSTRUCTIONS

GCA-3A-0912

Spears® Grooved Coupling Adapters were designed using the Victaulic style 75 and 77 flexible coupling. Other couplings of similar flexible design may be used. **CAUTION:** Use of rigid style couplings may damage the grooved coupling adapter. Consult the coupling manufacturer for proper selection.

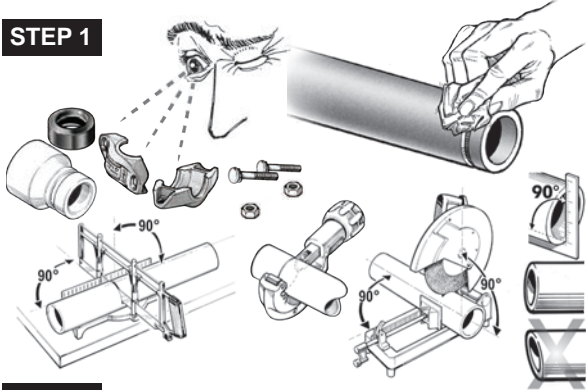


READ THESE INSTRUCTIONS CAREFULLY BEFORE BEGINNING INSTALLATION

The following procedures are recommended for proper assembly of the Grooved Coupling Adapter.

**INSTALLATION PROCEDURES**

**STEP 1**

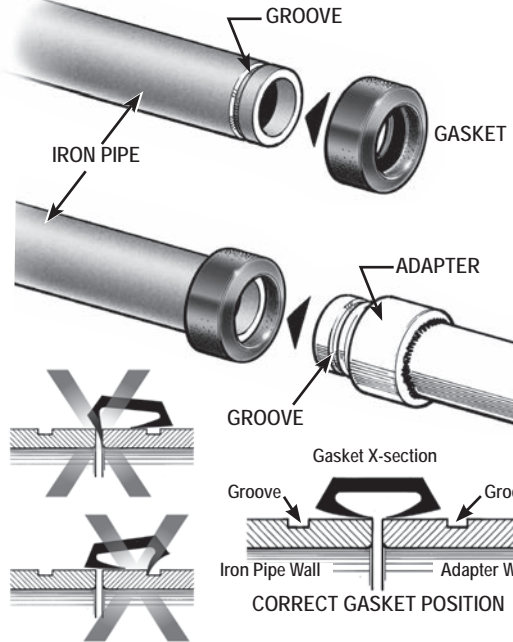


**STEP 2**

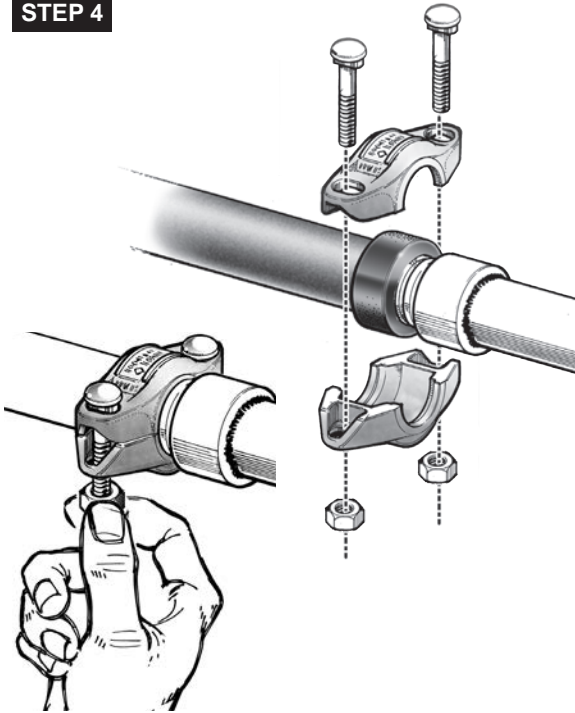


**CAUTION:** Certain lubricants can contain a petroleum base or other chemicals which may cause damage to the gasket and adapter. It is the installers responsibility to verify suitability for use of the selected lubricant with the manufacturer.

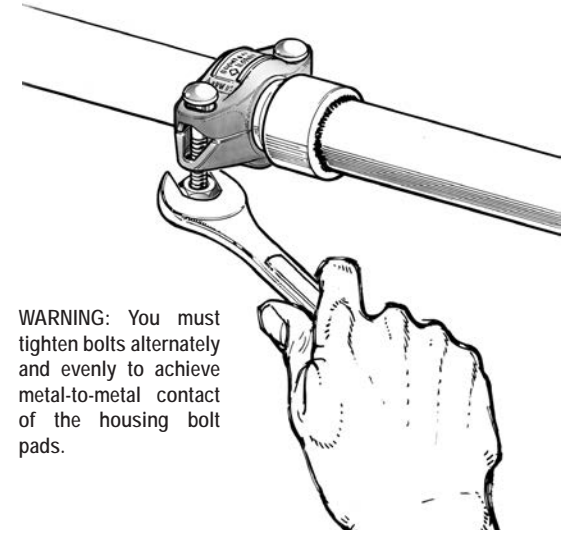
**STEP 3**



**STEP 4**



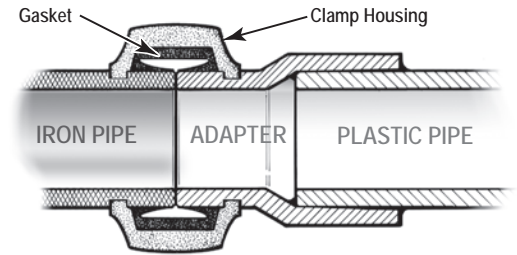
**STEP 5**



**WARNING:** You must tighten bolts alternately and evenly to achieve metal-to-metal contact of the housing bolt pads.

**STEP 6**

Inspect the joints before and after pressure testing. Look for gaps between the bolt pads and for housing keys that are not inside the grooves. Insure that pipe alignment does not place undue stress on the grooved coupling adapters.



**STEP 7**

As an added precaution to enhance the structural design of the system, it is suggested that a hanger or support be located at or near the grooved coupling adapter joint. This can be on either side of the coupling.

Consult coupling manufacturer for proper hanger and support requirements.

 **SPEARS® MANUFACTURING COMPANY**  
15853 Olden Street, Sylmar, CA 91342  
PO Box 9203, Sylmar, CA 91392  
(818) 364-1611  
www.spearsmfg.com

